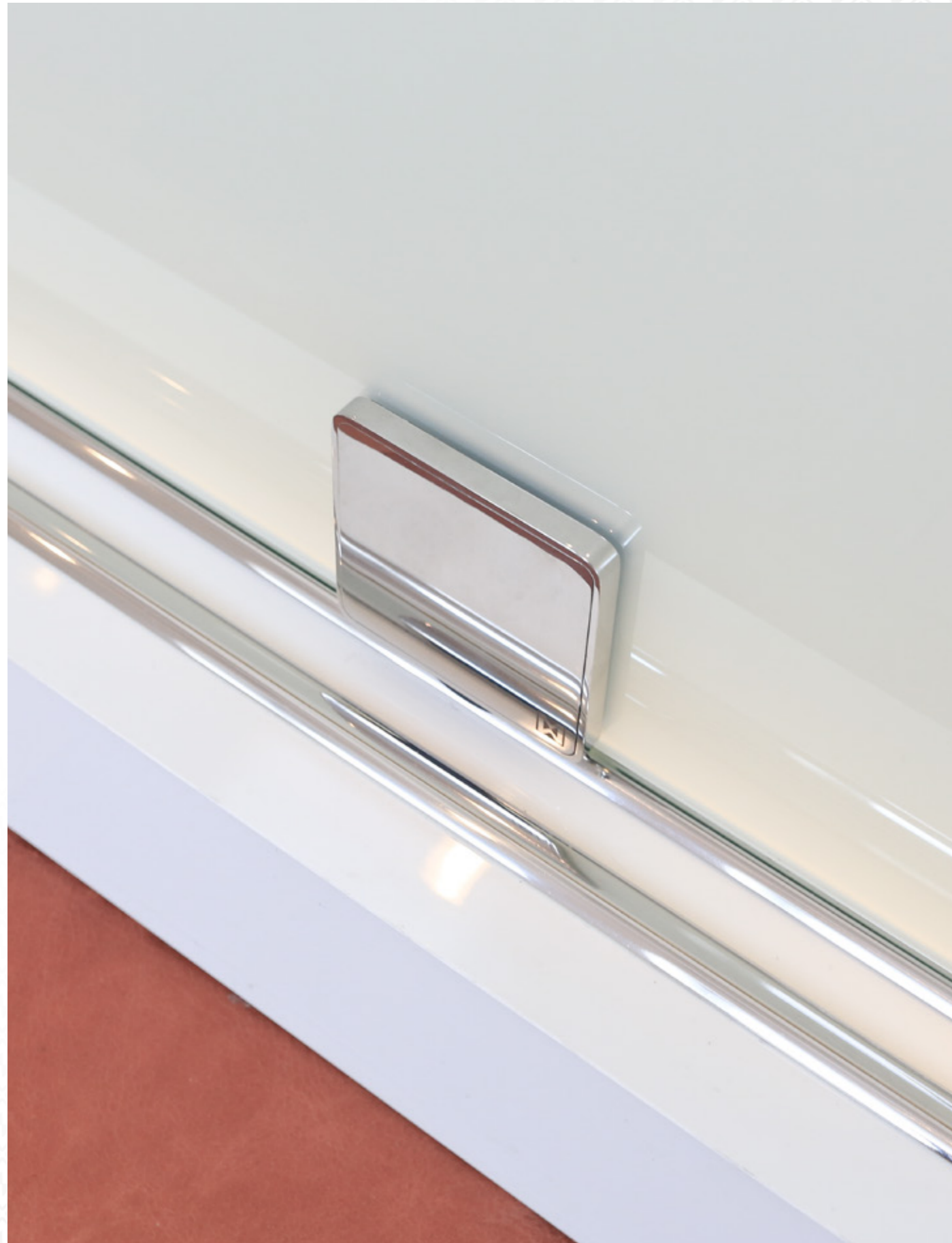




SLIDING DOOR TERRA AKZENT

ST.1064.TA





TERRA AKZENT ST.1064.TA

In addition to the contemporary, beautiful simplicity, there are also some technical surprises in the Terra Akzent system: With this sliding door system, height adjustment is still possible after installation! The roller can be raised or lowered by a few millimeters within its housing. And that without aesthetic loss, because the technology disappears under a magnetic cover. The system Terra Akzent is available in two versions. The raised rail can be screwed or glued to the floor. As some customers prefer a recessed floor track, MWE developed a concave bottom track for this system. It is embedded in the floor and leads to absolute accessibility. For this version, the Terra Akzent system alternatively has a convex roller. Door leaf weight up to 80 kg.

Overview:

- + System with floor track
- + Weight of door leaf is transmitted directly to the floor
- + Magnetic covers conceal the screw connections
- + Low clearance between door leaf and wall element due to rollers set in the middle under the glass door
- + Available with MWE soft stop technology
- + Door leaf weight up to 80 kg

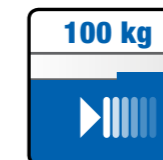
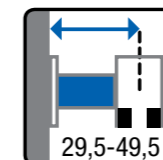
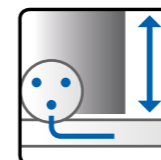
Technical details:

You will find further information all the technical details for this product

www.mwe-tuersysteme.de

More about MWE and all products

www.mwe.de



Technical highlights at Terra sliding door systems with bottom running rail

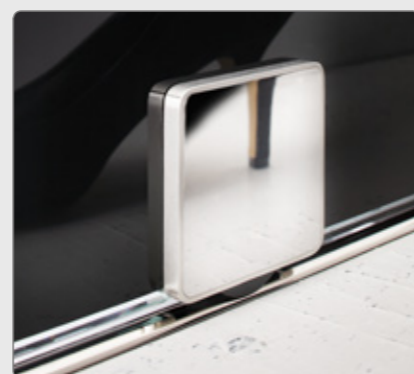
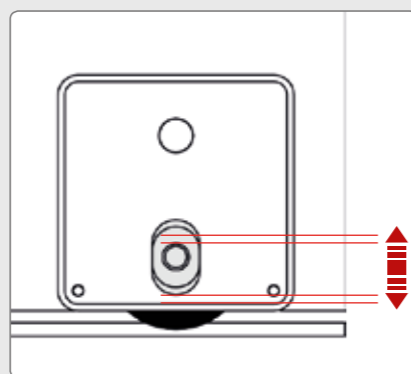
Terra systems in use: If there are no load-bearing ceilings or walls are present, the weight of the door is transferred to the trolley on the ground and thus transferred to the bottom rail.

The **Terra system** has in the glass point fixings on a **glas eccentric insert**.



By the tricks of the plastic shell one can put the height around $\pm 2,0$ mm.

Terra Akzent = $\pm 2,0$ mm









MWE Edelstahlmanufaktur GmbH
Am Steinbusch 7 | D-48351 Everswinkel
Fon: +49 25 82-99 60-0
Fax: +49 25 82-99 60-128
E-Mail: info@mwe.de