



SLIDING DOOR SUPRA

ST.1009.SU





SUPRA ST.1009.SU

Visually adapted to the new design language of the sliding door systems ProTec and Klassik, is the Supra System.

Supra has been specially designed for doors that do not allow screw connections or fixings on the door leaf surface.

Supra is placed on the door leaf's upper edge. It is ideal for use with wooden doors or mirrored doors. The door leaf thickness should be between 30 mm and 90 mm. Due to the extensive range of accessories, partitions, room dividers and freestanding Glass cabins implemented very simply and flexibly become. The Supra system can easily be attached to walls, ceilings or glass constructions.

Technical details:

You will find further information all the technical details for this product

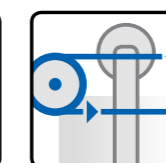
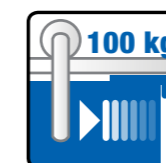
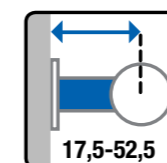
www.mwe-tuersysteme.de

More about MWE and all products

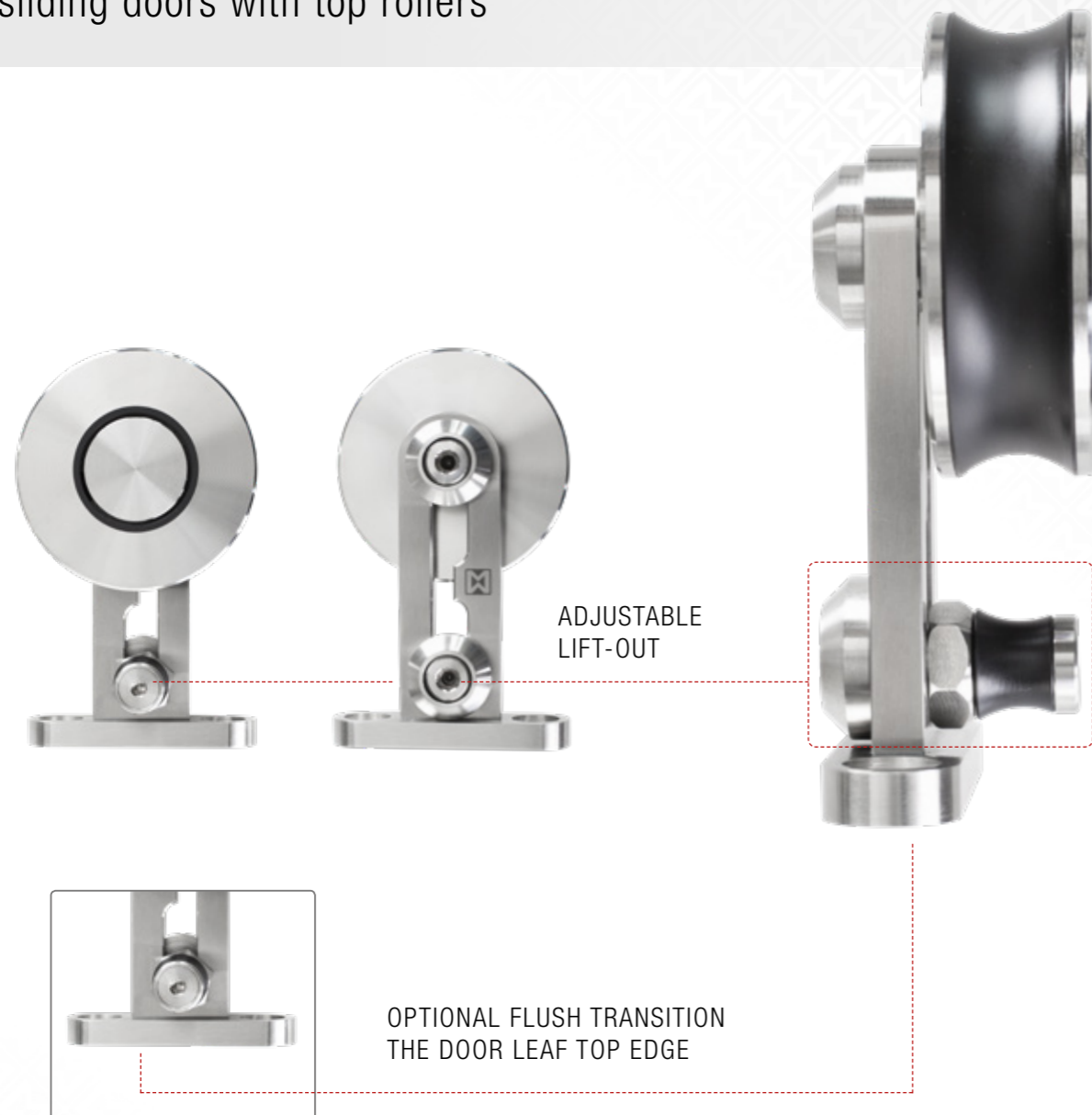
www.mwe.de

Overview:

- + Suitable for wood or mirrored doors
- + Rollers fixed to the top edge of door leaf
- + For door thicknesses between 30 mm and 90 mm
- + Available with MWE soft stop technology
- + Synchronous technology
- + Door leaf weight up to 135 kg

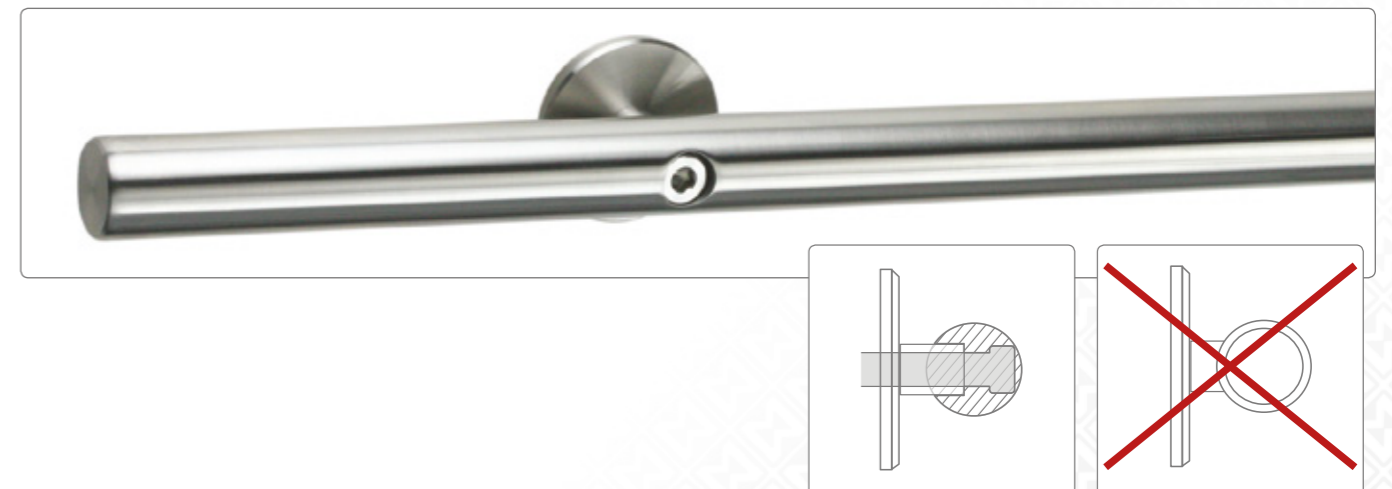


Technical highlights from Duplex S sliding doors with top rollers



RAILS MADE OF SOLID STAINLESS STEEL

- + Virtually silent running, solid material does not generate resonances
- + High load capacity of the entire construction (e.g. for partition walls, glass cabins, skylights)



ADJUSTABLE LIFT-OUT

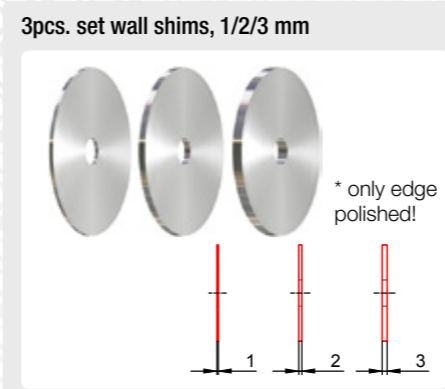
- + Perfect runnability guaranteed - by the construction as a rolling body
- + Perfectly adjustable by eccentric bore
- + Very high stability due to the basic structure made of stainless steel

plastic roller

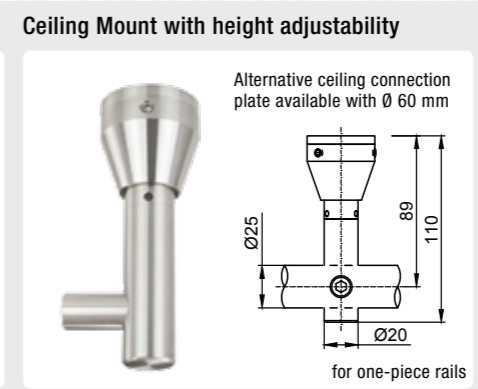
eccentric bore



Ø 50 mm wall rosette for sliding systems: ProTec, Klassik, Supra, Twin, Duplex, Duplex S, Vario, Spider and Chronos – incl. Drilling

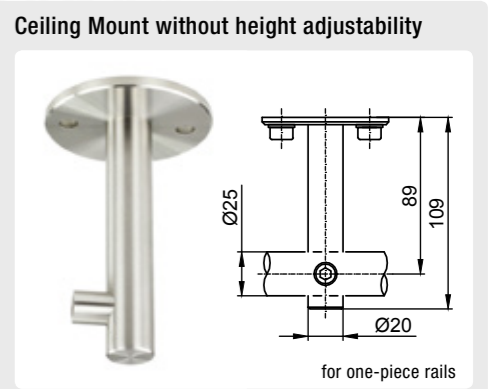


ST.2050



ST.5001

+/- 4 mm Height adjustment after assembly!



ST.5003

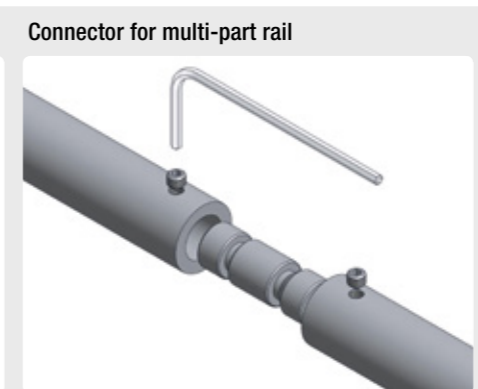


for sliding door systems: ProTec, Klassik, Supra, Duplex, Duplex S, Twin, Spider and Chronos



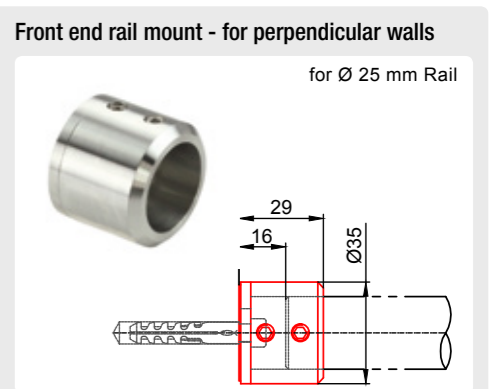
ST.2090.V

With angle adjustment!



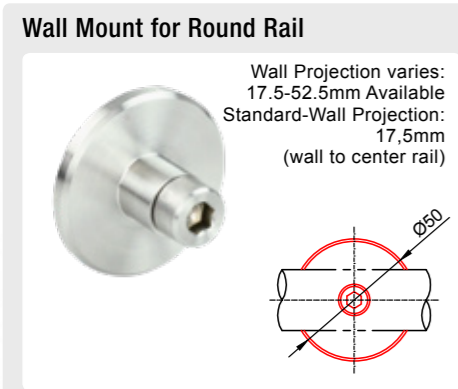
ST.2025

or Ø 25 mm Rail

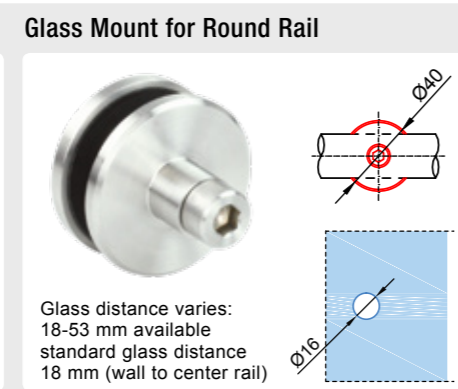


ST.5035

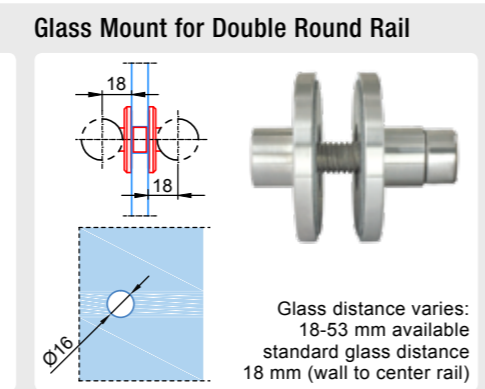
Offset distance of 16 mm required



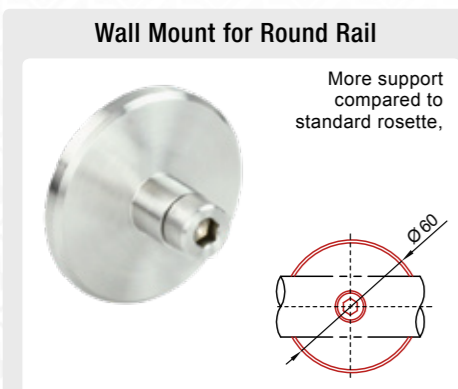
ST.2100



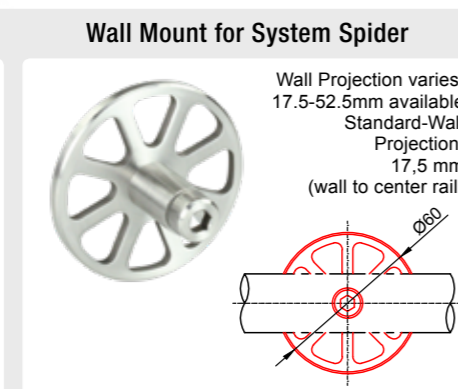
ST.2170



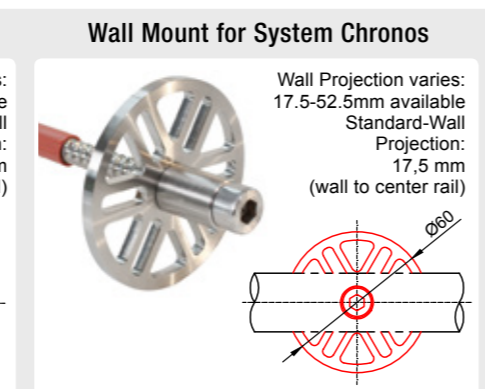
ST.2174



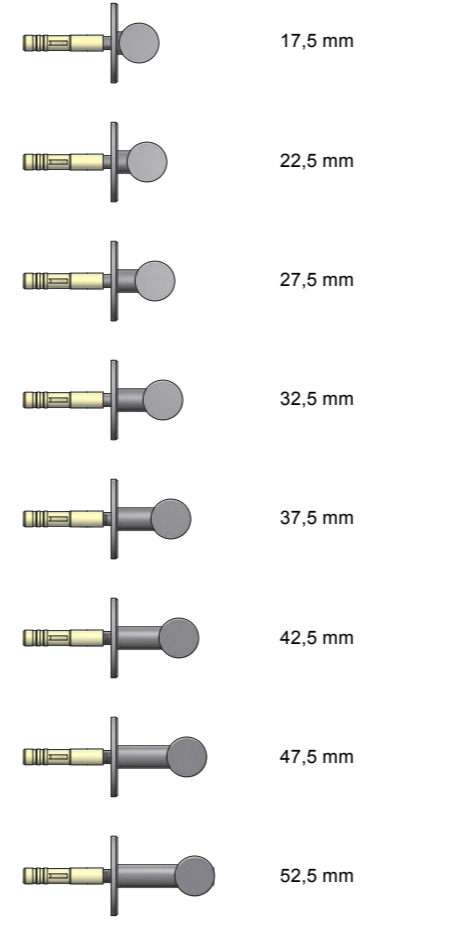
ST.2100.60



ST.2100.SP

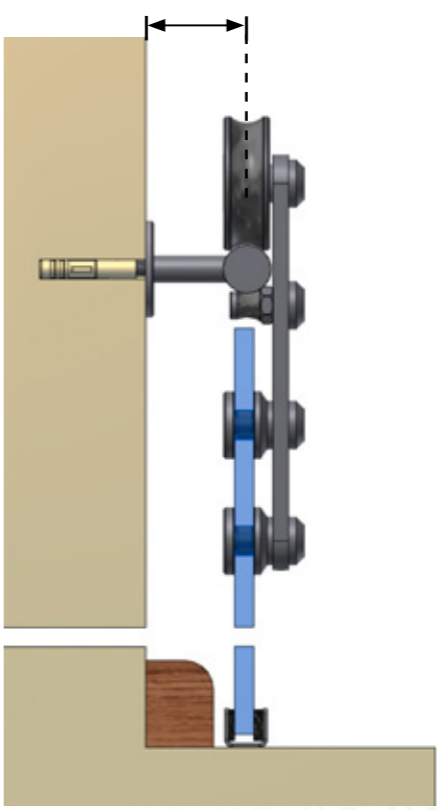


ST.2100.CH



Various projection lengths are available to allow for baseboard and/or casing available in 5 mm increments!

Wall projection!
Standard wall projection 17.5 mm (wall to center rail) 17.5-52.5mm available



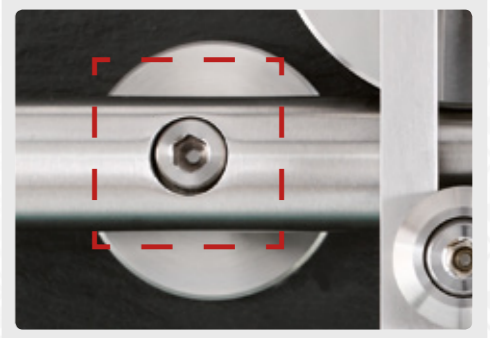
Wall mounting screws - wood thread with cylinder head!



Standard Wall mount (included in the wall to center rail): M8 cylinder head bolt ZK8.100.HD with wood thread, Fischer-UX Ø 10 mm, 80, 100 and 120 mm



Alternative Wall mount Screws: M8 cylinder head bolt with metric thread and gypsum wall metal dowel. for single or double plasterboard - please specify!







MWE Edelstahlmanufaktur GmbH
Am Steinbusch 7 | D-48351 Everswinkel
Fon: +49 25 82-99 60-0
Fax: +49 25 82-99 60-128
E-Mail: info@mwe.de